

Cardinal
SHOWER ENCLOSURES



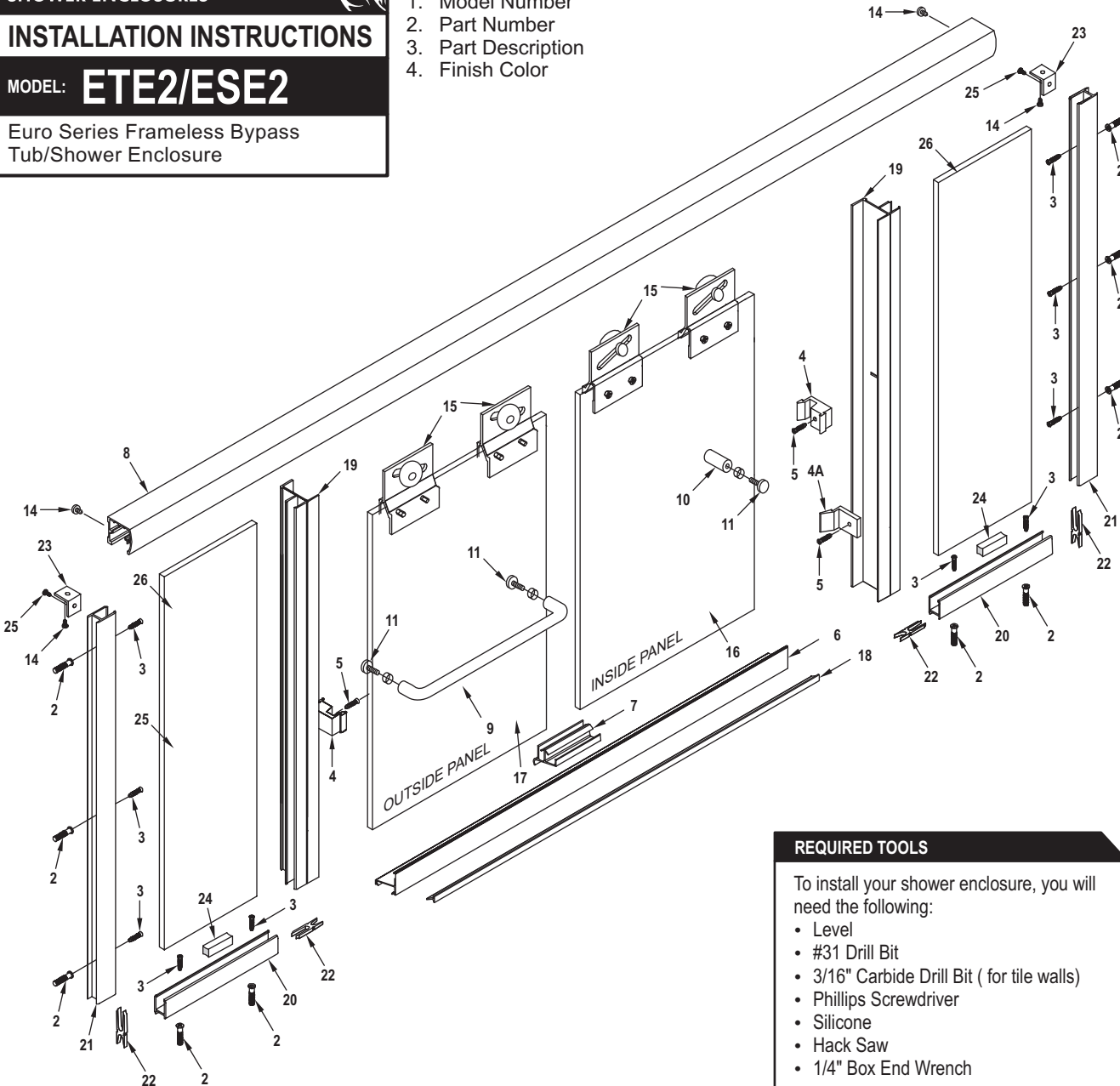
INSTALLATION INSTRUCTIONS

MODEL: **ETE2/ESE2**

Euro Series Frameless Bypass
Tub/Shower Enclosure

When ordering repair parts, please provide the following information:

1. Model Number
2. Part Number
3. Part Description
4. Finish Color



REQUIRED TOOLS

To install your shower enclosure, you will need the following:

- Level
- #31 Drill Bit
- 3/16" Carbide Drill Bit (for tile walls)
- Phillips Screwdriver
- Silicone
- Hack Saw
- 1/4" Box End Wrench

DESCRIPTION	QTY	PART NO.	PICTURE
1. Vertical Vinyl Seal	12	ZV-909	
2. Wall Anchors	10	ZV-935	
3. #8x 1-1/4" screws	10	#8X1-1/4"	
4. Door Bumpers	2	ZV-934	
4A. Bottom Bumpers	1	ZV-926	
5. 6-32 x 1/2" Screw	2	6-32X1/2	
6. Bottom Still	1	ZTE-1222	
7. Center Guide - 3"	1	ZV-920	
8. Header	1	ZTE-1601	
9. Tubular Towel Bar	1	CHG-TB	
10. Tubular Inside Pull	1	CHG-KSM	
11. Towel Bar/Pull Fastener	3	ZTE-2205	
12. 3/4" Nylon Towel Bar Washer	6	Washer	
13. 1/4" Nylon Towel Bar Sleeve	3	Sleeve	
14. #6 x 3/8" Screw	2	#6X3/8	
15. Roller bracket Assembly	4	ZTE-1209	
16. Inside Glass Panel (1 hole)	1		
17. Outside Glass Panel (2 holes)	1		
18. Door Guide Vinyl with ZTE-1222	1	ZV-918	
19. 180 Degree Post	2	ZTE-1218	
20. Curb Channel	2	ZD-1006	
21. Wall Channel	2	ZD-1006	
22. Post to Curb Key	4	ZC-180	
23. Post to Header Clip	2	ZD-90	
24. Glass Support Block	2	ZV-902	
25. #6 x 1/4" Screw	2	#6x3/8"	
26. Glass Panel	2		

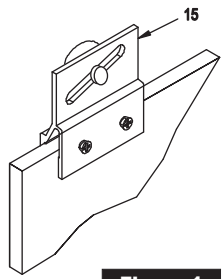


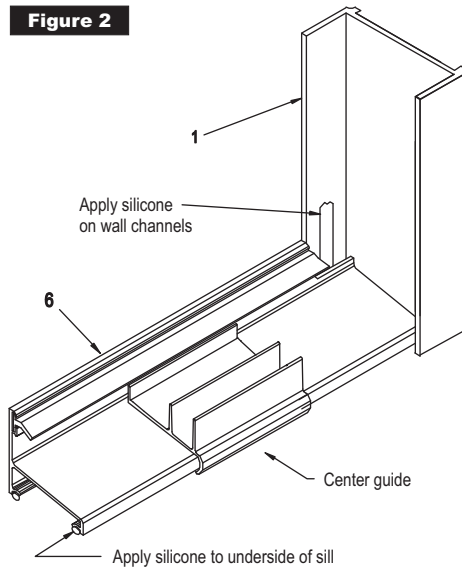
Figure 1

NOTE: Apply a bead of silicone (GE 1200) into the open channel of roller bracket before attaching to glass. To assemble roller bracket (15) to glass, tighten screws until surface of roller bracket is depressed 1/32" (28 inch pounds of torque). Allow to cure for 24 hours before hanging sliders.

1. For 30" wide sliders deduct 60" from opening width and divide by two and subtract 7/8" to arrive at length of channel curbs (20).
2. Set channel curbs (20) temporarily in place on curb, inside edge of channel curb should be set 1/4" to outside of center of curb. Set wall channels (21) in place on curbs, hold plumb and mark screw locations.

3. Remove wall channels and channel curbs. Drill 3/16" holes in walls, and insert plastic screw anchors (2).
4. Run bead of silicone full length, to underside of channel curbs (20). Set channel curbs in place with weep holes to the inside. Fill channel with silicone where curb meets wall. Set wall channels in place and secure with #8 x 1-1/4" SMS (3). Secure clips (23) to top inside of wall channels with #6 x 1/4" SMS (25).

Figure 2



underside of sill and press firmly in place on curb.

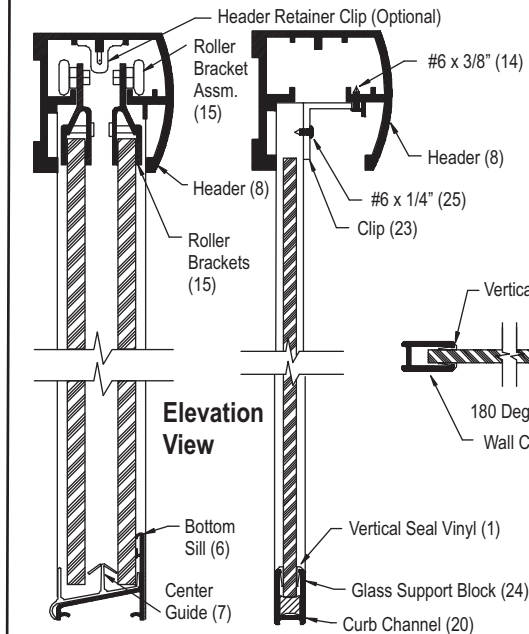
8. Cut header (8) 1/32" to 1/16" less than opening width and set in place over 180 degree posts and wall channels. Secure header to 180 degree posts and wall channel clips (23) with #6 x 3/8" Screws (14).

9. To set slider glass in place, hold inside slider panel (16) inside of tub or shower pan, insert rollers up into header and lower into place. Next, insert lower end of outside slider (17) in front of slider by pushing lower ends far enough in, to allow clearance on inside edge of tub or pan. Avoid roller

5. Place glass support block (24) in center of channel curbs. Set panels (26) in place in curbs and into wall channels. Insert post to curb keys (22).

6. Caulk curb where 180 degree post (19) will set. Fill channel of 180 degree post with silicone, opposite bumper location, to help support post on panel. Set 180 degree post in place over edge of panel, hold plumb and insert vertical seal vinyl (1) into wall channel and post on both sides of panel. Insert vertical seal vinyl into channel curb on both sides of panel.

7. Measure between 180 degree post (19) at the curb and use this measurement to cut bottom sill (6) to length. Run a bead of silicone, full length to



Elevation View

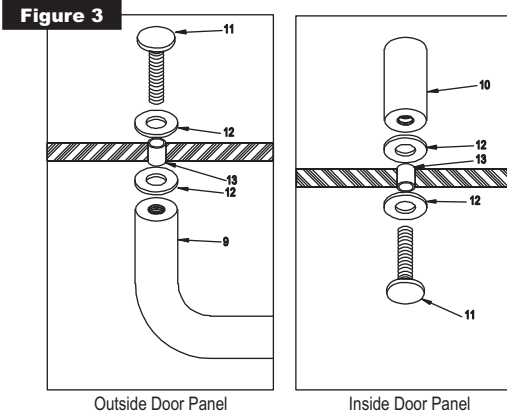
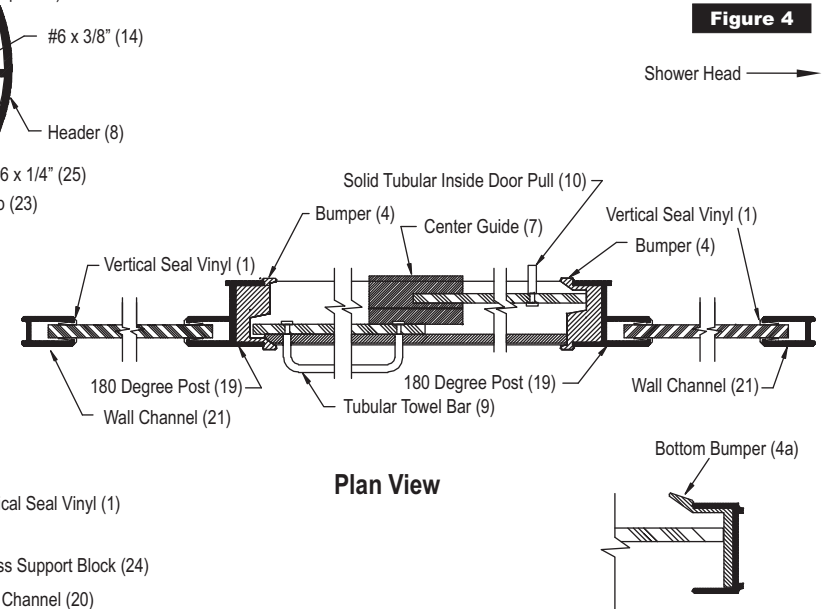


Figure 3

11. To install towel bar (9), place nylon towel bar insert sleeves (13) into holes in the glass (17). Next hold the tubular towel bar (9) against the hole in the glass with the nylon towel bar/pull washer (12) between the glass and the towel bar. Place a nylon towel bar/pull washer on the towel bar/pull screw (11) and secure towel bar in place on both ends. Install the pull the same way the towel bar was installed. Use hole in fastener to tighten (See Figure 3).

12. Silicone inside of shower where jambs meet wall and sill meets rim of tub.



Plan View

Figure 4

bracket to roller bracket contact while lifting panel into place. The outside slider will close against the jamb opposite the shower head. Slide center guide (7) onto center of sill. Snap into place.

10. Close panels and adjust to align the vertical edge of panels 180 degree post. Using a 1/4" box-end-wrench, loosen the screws on the rollers, but don't remove completely. When screws are loose, be sure to support panel so it does not fall and break. Adjust inside slider as low as possible to reduce the gap between bottom of slider and sill taking care that the glass does not drag on the sill (6) or center guide (7). Adjust for bowed glass by using the slotted